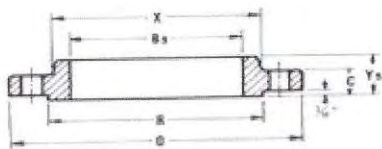


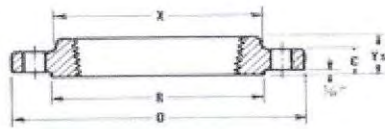


150 lb. ANSI B16.5 FORGED FLANGES

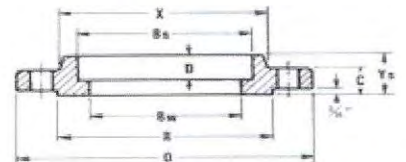
SLIP-ON



SCREWED



SOCKET WELDING



NOMINAL PIPE SIZE	COMMON DIMENSIONS				DIA. OF HUB AT BEVEL A	LENGTH THRU HUB			DIA. OF BORE		
	OUTSIDE DIA. OF FLANGE O	THICK. OF FLANGE C	DIA. OF HUB AT BASE X	DIA. OF RAISED FACE R		SLIP-ON, SCREWED, SOCKET Yc	WELDING NECK Yw	LAP JOINT Yl	SLIP-ON, SOCKET Bs	WELDING NECK, SOCKET Bw	LAP JOINT Bl
1/2	3 1/2	3/8	1 3/8	1 3/8	.84	3/8	1 3/8	5/8	.88	.62	.90
3/4	3 3/8	1/2	1 1/2	1 1/8	1.05	3/8	2 1/8	5/8	1.09	.82	1.11
1	4 1/4	3/8	1 5/8	2	1.32	1/2	2 3/8	5/8	1.36	1.05	1.38
1 1/4	4 3/8	3/8	2 5/8	2 1/2	1.66	3/8	2 1/4	3/8	1.70	1.38	1.72
1 1/2	5	3/8	2 3/8	2 3/8	1.90	7/8	2 3/8	3/8	1.95	1.61	1.97
2	6	3/4	3 1/8	3 3/8	2.38	1	2 1/2	1	2.44	2.07	2.46
2 1/2	7	3/8	3 3/8	4 1/8	2.88	1 1/8	2 3/4	1 3/8	2.94	2.47	2.97
3	7 1/2	3/8	4 1/4	5	3.50	1 3/8	2 3/4	1 3/8	3.57	3.07	3.60
3 1/2	8 1/2	3/8	4 1/8	5 1/2	4.00	1 1/4	2 3/8	1 1/4	4.07	3.55	4.10
4	9	3/8	5 3/8	6 3/8	4.50	1 3/8	3	1 3/8	4.57	4.03	4.60
5	10	3/8	6 3/8	7 3/8	5.56	1 3/8	3 1/2	1 3/8	5.66	5.05	5.69
6	11	1	7 3/8	8 1/2	6.63	1 3/8	3 1/2	1 3/8	6.72	6.07	6.75
8	13 1/2	1 1/8	9 1/8	10 3/8	8.63	1 3/4	4	1 3/4	8.72	7.98	8.75
10	16	1 3/8	12	12 3/4	10.75	1 5/8	4	1 5/8	10.88	10.02	10.92
12	19	1 1/4	14 3/8	15	12.75	2 3/8	4 1/2	2 3/8	12.88	12.00	12.92
14	21	1 3/8	15 3/4	16 1/4	14.00	2 1/4	5	3 3/8	14.14	13.25	14.18
16	23 1/2	1 3/8	18	18 1/2	16.00	2 1/2	5	3 3/8	16.16	15.25	6.19
18	25	1 3/8	19 3/8	21	18.00	2 5/8	5 1/2	3 3/8	18.18	17.25	18.20
20	27 1/2	1 3/8	22	23	20.00	2 3/4	5 3/8	4 3/8	20.20	19.25	20.25
24	32	1 3/8	26 3/8	27 1/4	24.00	3 1/4	6	4 3/8	24.25	23.25	24.25

* Material: To be specified when ordering. See Page

* Dimensional Tolerances: See Page 18

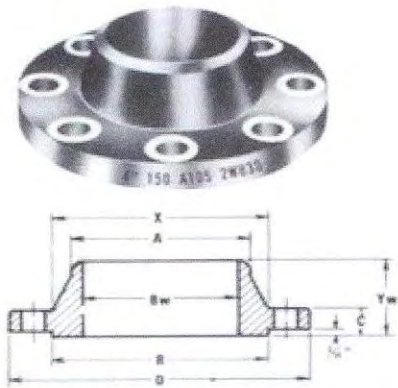
* Flange Details of Ring Joint: See Page 16-17



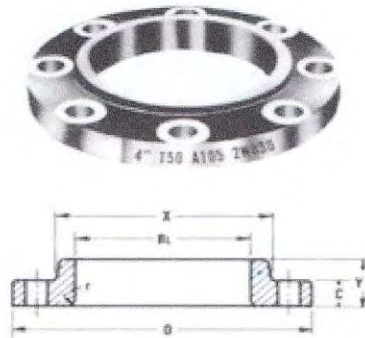
ANSI B16.5 FORGED FLANGES

150 lb.

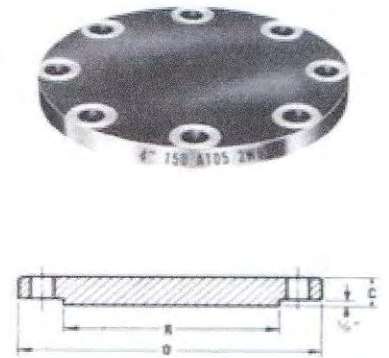
WELDING NECK



LAP JOINT



BLIND



DIMENSIONS IN INCHES

RADIUS OF FLEET r	MINIMUM THREAD LENGTH T	DEPTH OF SOCKET D	DRILLING				LENGTH OF BOLTS			NOMINAL PIPE SIZE
			DIA. OF BOLT CIRCLE	NUMBER OF BOLTS	DIA. OF BOLTS	DIA. OF BOLT HOLES	STUD BOLTS		MACHINE BOLTS 1/16" R.F.	
							1/16" RAISED FACE	RING JOINT		
3/8	5/8	3/8	2 3/8	4	1/2	5/8	2 1/4	—	1 3/4	1/2
3/8	5/8	3/16	2 3/4	4	1/2	5/8	2 1/4	—	2	3/4
1/2	3/4	1/2	3 1/8	4	1/2	5/8	2 1/2	3	2	1
3/16	5/16	5/16	3 1/2	4	1/2	5/8	2 1/2	3	2 1/4	1 1/4
1/4	3/8	5/8	3 3/8	4	1/2	5/8	2 3/4	3 1/4	2 1/4	1 1/2
3/16	1	3/16	4 3/4	4	3/8	3/4	3	3 1/2	2 3/4	2
5/16	1 1/8	3/4	5 1/2	4	5/8	3/4	3 1/4	3 3/4	3	2 1/2
3/8	1 3/16	3/8	6	4	5/8	3/4	3 1/2	4	3	3
3/8	1 1/4	3/8	7	8	5/8	3/4	3 1/2	4	3	3 1/2
2/16	1 5/16	5/16	7 1/2	8	5/8	3/4	3 1/2	4	3	4
3/16	1 1/16	5/16	8 1/2	8	3/4	3/8	3 3/4	4 1/4	3 3/4	5
1/2	1 5/8	1 1/16	9 1/2	8	3/4	3/8	3 3/4	4 1/4	3 3/4	6
1/2	1 3/4	1 1/4	11 3/4	8	3/4	3/8	4	4 1/2	3 1/2	8
1/2	1 5/8	1 5/16	14 1/4	12	7/8	1	4 1/2	5	3 3/4	10
1/2	2 3/16	1 5/16	17	12	7/8	1	4 1/2	5	4	12
1/2	2 1/4	1 5/8	18 3/4	12	1	1 1/8	5	5 1/2	4 1/4	14
1/2	2 1/2	1 3/4	21 1/4	16	1	1 1/8	5 1/4	5 3/4	4 1/2	16
1/2	2 3/8	1 5/8	22 3/4	16	1 1/8	1 1/4	5 3/4	6 1/4	4 3/4	18
1/2	2 7/8	2 1/8	25	20	1 1/8	1 1/4	6	6 1/2	5 1/4	20
1/2	3 1/4	2 1/2	29 1/2	20	1 1/4	1 3/8	6 3/4	7 1/4	5 3/4	24

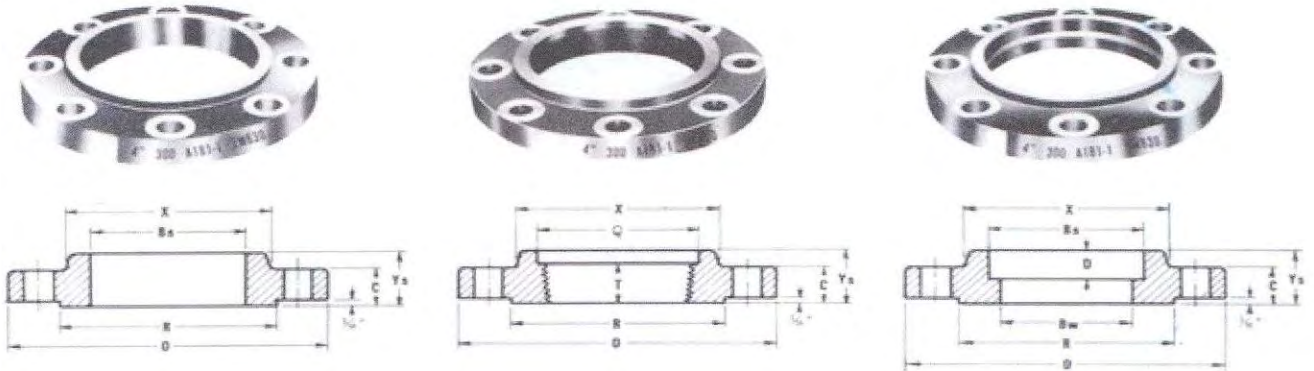
The 1/16" Raised Face is included in Thickness C and Length Y.



300 lb. ANSI B16.5 FORGED FLANGES

SCREWED

SOCKET WELDING



NOMINAL PIPE SIZE	COMMON DIMENSIONS				DIA. OF HUB AT BEVEL A	LENGTH THRU HUB			DIA. OF BORE		
	OUTSIDE DIA. OF FLANGE O	THICK. OF FLANGE C	DIA. OF HUB AT BASE X	DIA. OF RAISED FACE R		SLIP-ON, SCREWED, SOCKET Ys	WELDING NECK Yw	LAP JOINT Yl	SLIP-ON, SOCKET Bs	WELDING NECK, SOCKET Bw	LAP JOINT Bl
1	3 3/4	3/8	1 1/2	1 3/8	.84	3/8	2 1/2	3/8	.88	2.62	.90
	4 5/8	5/8	1 3/8	1 1/2	1.05	1	2 1/4	1	1.09	.82	1.11
	4 3/8	3/8	2 1/8	2	1.32	1 1/8	2 3/8	1 1/8	1.36	1.05	1.38
2	5 1/4	3/4	2 1/2	2 1/2	1.66	1 1/8	2 3/8	1 1/8	1.70	1.38	1.72
	6 1/4	7/8	2 3/4	2 3/4	1.90	1 1/8	2 1/2	1 1/8	1.95	1.61	1.97
	6 1/2	3/4	3 3/8	3 3/8	2.38	1 3/8	2 3/4	1 3/8	2.44	2.07	2.46
3	7 1/2	1	3 3/8	4 1/8	2.88	1 1/2	3	1 1/2	2.94	2.47	2.97
	8 1/4	1 1/8	4 5/8	5	3.50	1 1/2	3 1/8	1 1/8	3.57	3.07	3.60
	9	1 1/8	5 1/2	5 1/2	4.00	1 3/4	3 3/8	1 3/4	4.07	3.55	4.10
4	10	1 1/4	5 3/4	6 3/8	4.50	1 3/8	3 3/8	1 3/8	4.57	4.03	4.60
	11	1 3/8	7	7 3/8	5.56	2	3 3/8	2	5.66	5.05	5.69
	12 1/2	1 3/8	8 1/8	8 1/2	6.63	2 1/8	3 3/8	2 1/8	6.72	6.07	6.75
8	15	1 3/8	10 1/4	10 3/8	8.63	2 3/8	4 3/8	2 3/8	8.72	7.98	8.75
	10	1 3/8	12 3/8	12 1/4	10.75	2 3/8	4 3/8	3 3/4	10.88	10.02	10.92
	12	2	14 1/4	15	12.75	2 3/8	5 3/8	4	12.88	12.00	12.92
14	23	2 1/8	16 3/8	16 1/4	14.00	3	5 3/8	4 3/8	14.14	13.25	14.18
	16	2 1/4	19	18 1/2	16.00	3 1/4	5 3/4	4 3/4	16.16	15.25	16.19
	18	2 3/8	21	21	18.00	3 1/2	6 1/4	5 1/8	18.18	17.25	18.20
20	30 1/2	2 1/2	23 3/8	23	20.00	3 3/4	6 3/8	5 1/2	20.20	19.25	20.25
	24	2 3/4	27 3/8	27 1/4	24.00	4 3/8	6 3/8	6	24.25	23.25	24.25

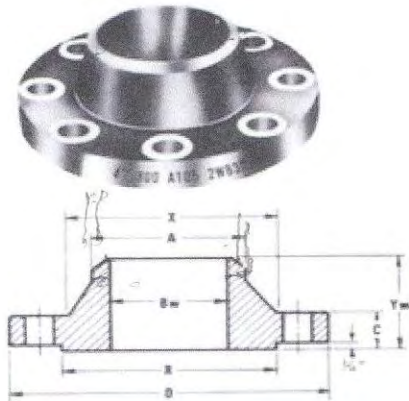
* Material: To be specified when ordering. See Page
 * Dimensional Tolerances: See Page 18
 * Facing Details of Ring Joint: See Page 16-17



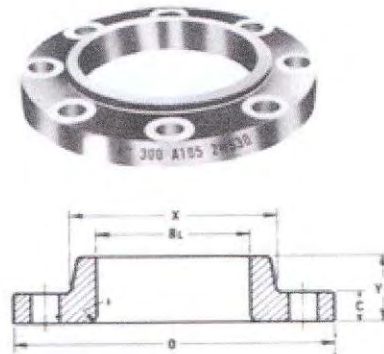
ANSI B16.5 FORGED FLANGES

300 lb.

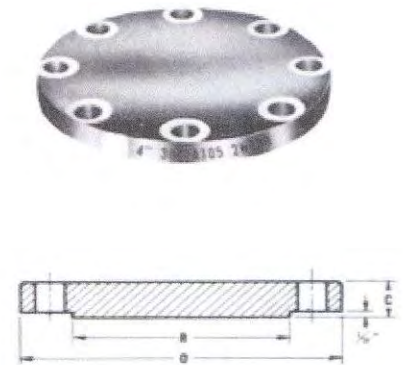
WELDING NECK



LAP JOINT



BLIND



DIMENSIONS IN INCHES

RADIUS OF FILLET r	MINIMUM THREAD LENGTH T	DEPTH OF SOCKET D	DRILLING				LENGTH OF BOLTS			COUNTER BORE SCREWED FLANGE MIN Q	NOMINAL PIPE SIZE
			DIA. OF BOLT CIRCLE	NUMBER OF BOLTS	DIA. OF BOLTS	DIA. OF BOLT HOLES	STUD BOLTS		MACHINE BOLTS 1/16" R.F.		
							1/16" RAISED FACE	RING JOINT			
3/8	3/8	3/8	2 5/8	4	1/2	3/8	2 1/2	3	2	0.93	1/2
3/8	3/8	3/8	3 1/4	4	3/8	3/4	2 3/4	3 1/4	2 1/2	1.14	3/4
3/8	3/8	1/2	3 1/2	4	5/8	3/4	3	3 1/2	2 1/2	1.41	1
3/16	3/8	3/8	3 3/8	4	5/8	3/4	3	3 1/2	2 3/4	1.75	1 1/4
1/4	3/8	3/8	4 1/2	4	3/4	3/8	3 1/2	4	3	1.99	1 1/2
3/16	1 1/8	3/8	5	8	3/8	3/4	3 1/4	4	3	2.50	2
3/16	1 1/4	3/8	5 3/8	8	3/4	3/8	3 3/4	4 1/2	3 1/4	3.00	2 1/2
3/8	1 1/4	3/8	6 3/8	8	3/4	3/8	4	4 3/4	3 1/2	3.63	3
3/8	1 3/8	—	7 1/4	8	3/4	3/8	4 1/4	5	3 3/4	4.13	3 1/2
3/16	1 3/8	—	7 3/8	8	3/4	3/8	4 1/4	5	3 3/4	4.63	4
3/16	1 5/8	—	9 1/4	8	3/4	3/8	4 1/2	5 1/4	4	5.69	5
1/2	1 5/8	—	10 3/8	12	3/4	3/8	4 3/4	5 1/2	4 1/4	6.75	6
1/2	2	—	13	12	3/8	1	5 1/4	6	4 3/4	8.75	8
1/2	2 3/8	—	15 1/4	16	1	1 1/8	6	6 3/4	5 1/4	10.88	10
1/2	2 3/8	—	17 3/4	16	1 1/8	1 1/4	6 1/2	7 1/4	5 3/4	12.94	12
1/2	2 1/2	—	20 1/4	20	1 1/8	1 1/4	6 3/4	7 1/2	6	14.99	14
1/2	2 3/8	—	22 1/2	20	1 1/4	1 3/8	7 1/4	8	6 1/2	16.19	16
1/2	2 3/4	—	24 3/4	24	1 1/4	1 3/8	7 1/2	8 1/4	6 3/4	18.19	18
1/2	2 3/4	—	27	24	1 1/4	1 3/8	8	8 3/4	7	20.19	20
1/2	3 1/4	—	32	24	1 1/2	1 3/8	9	10	7 3/4	24.19	24

The 1/16" Raised Face is included in Thickness C and Length Y.